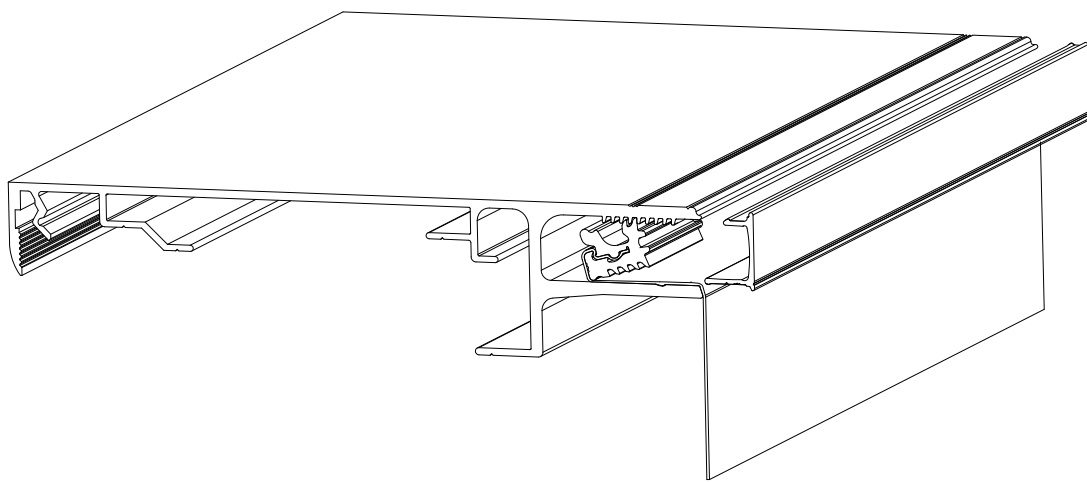


EPS.LUMI-GRIP

From now, the front-opening and particularly for the installation in niches suitable GRIP profiles are replaced by new and statically optimised ones. Furthermore, the new profiles are equipped with a multiple gear teeth by which the fabric can be adjusted finer, too.

Attributed to this multiple gear teeth, the profiles have changed in their building depth and are **incompatible with the old profiles.**

Art.-No.	Description
EPS 1-101	GRIP Medium Main Body, natural, 6m length Building depth 176 mm



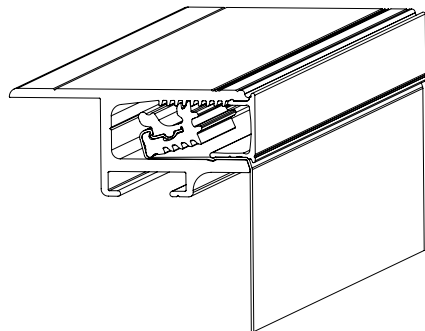
Old version
Art.-No. EPS 1-100
Building depth 176 mm



New version
Art.-No. EPS 1-101
Building depth 176 mm



Art.-No. EPS 1-111
Description GRIP Front Opening Retrofit JR, natural, 6 m length Building depth 67 mm



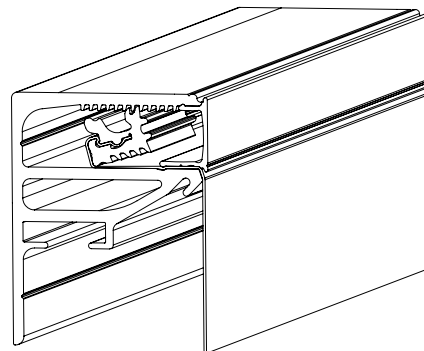
Old version
Art.-No. EPS 1-110
Building depth 61 mm



New version
Art.-No. EPS 1-111
Building depth 67 mm



Art.-No. EPS 1-121
Description GRIP Front Opening wallmounted, natural, 6 m length Building depth 50 mm



Old version
Art.-No. EPS 1-120
Building depth 53 mm



New version
Art.-No. EPS 1-121
Building depth 50 mm

